

BATTERY-CUTTER RSU 180 PLUS E-FORCE3

Part no.
1093512

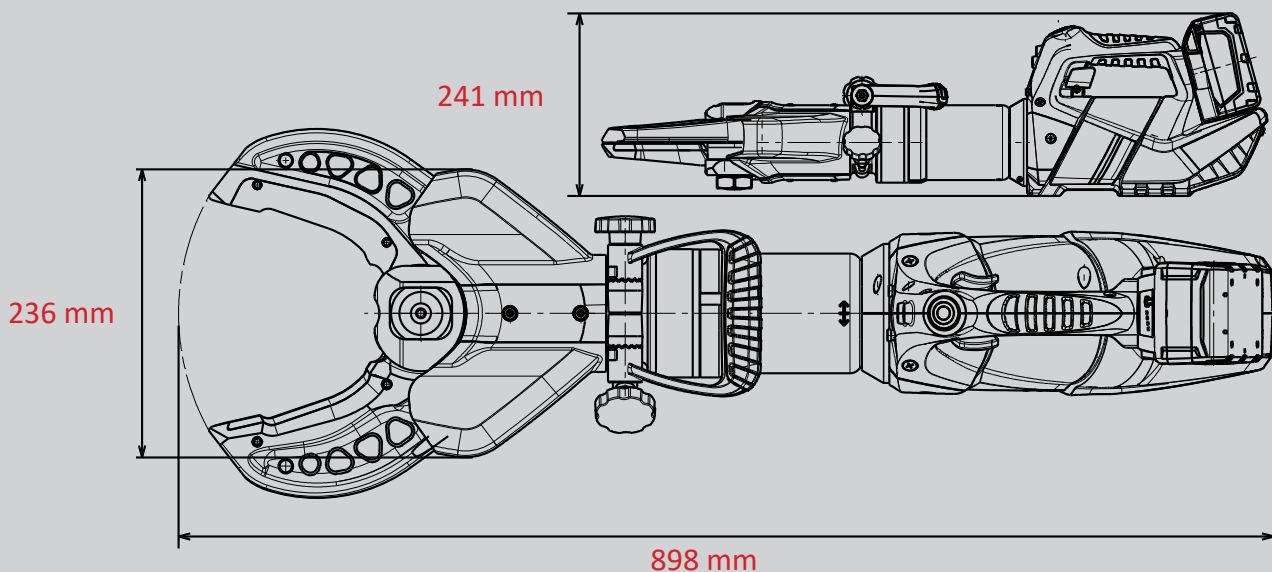


-  PLUS
-  ULTIMATE
-  FORGED
-  X-CHANGE
-  CHARGE
-  SPEED CONTROL
-  360° HANDLE

E FORCE 3

Technical data:

Opening width	185 mm
Weight (incl. battery)	20,6 kg
Dimensions (LxWxH)	898 x 236 x 241 mm
Nominal pressure	700 bar
EN classification (EN 13204)*	BC185J-20,6
EN cutting class (EN 13204)*	1J-2K-3K-4K-5K
NFPA cutting class (NFPA 1936)	A8-B9-C7-D9-E9



*According to EN 13204. Images are non-binding. We reserve the right to technical modifications.
60004845 (-, -, ALL, 22.01.2020)